

=====
QUOTE INFORMATION: 1/11/05
=====
Quote Id:
Purchaser:
Project:

=====
SteelBuildingSupplier.com
225 S Academy Blvd Ste 201
Colorado Springs, CO 80910-2768
(800) 793-8555
Contact:
=====

Customer Info:

=====
BUILDING TYPE
=====
Commercial Rigid Frame Steel

=====
PRICING
=====

Building Components \$
PANEL PACKING 1 sets \$
-----
Subtotal \$
Building Freight \$ Freight is not figured
Detail/Draft Fee \$
-----
TOTAL COST \$

=====
BUILDING LOCATION
=====

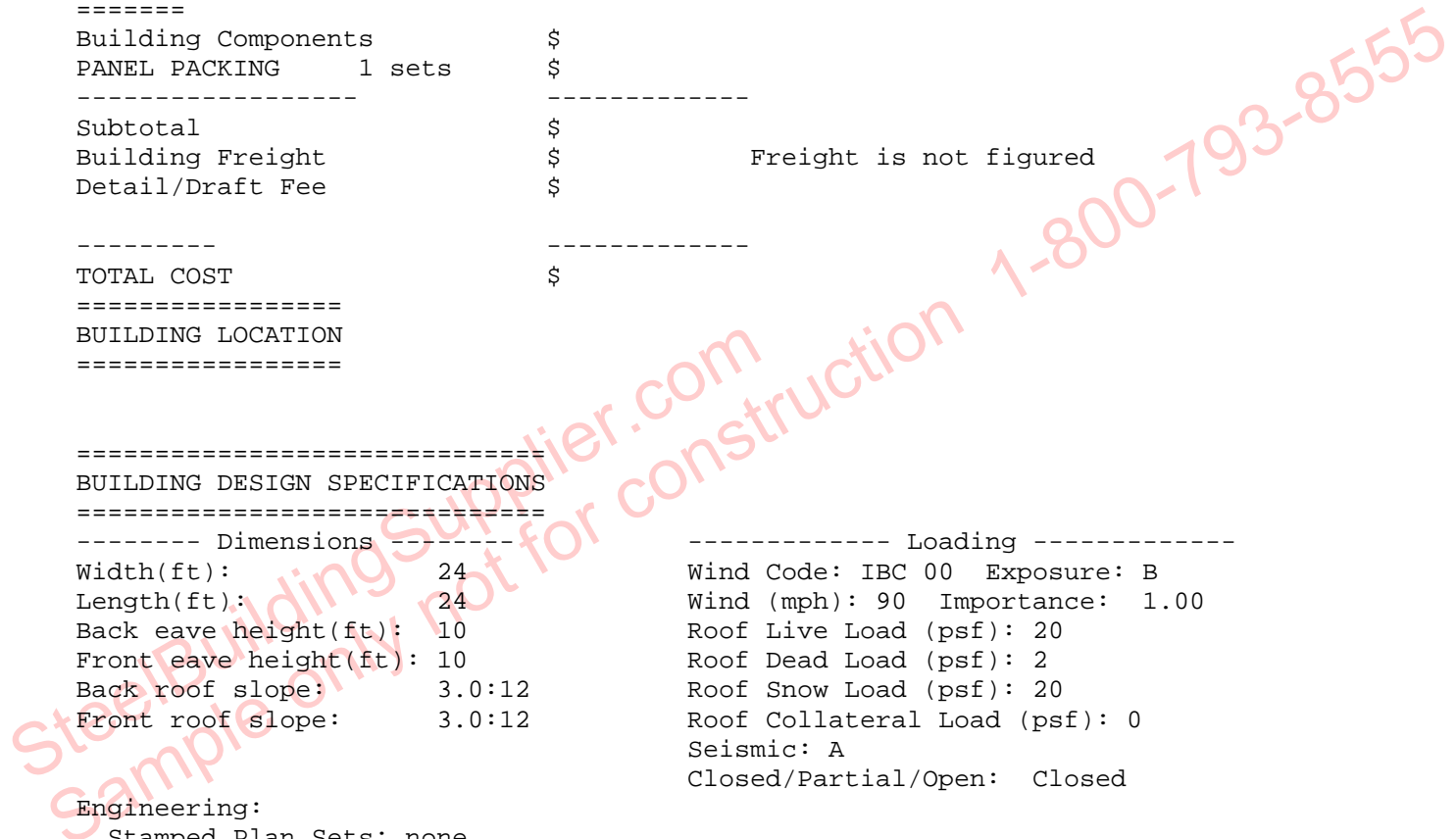
=====
BUILDING DESIGN SPECIFICATIONS
=====

----- Dimensions ----- Loading -----
Width(ft): 24 Wind Code: IBC 00 Exposure: B
Length(ft): 24 Wind (mph): 90 Importance: 1.00
Back eave height(ft): 10 Roof Live Load (psf): 20
Front eave height(ft): 10 Roof Dead Load (psf): 2
Back roof slope: 3.0:12 Roof Snow Load (psf): 20
Front roof slope: 3.0:12 Roof Collateral Load (psf): 0
Seismic: A
Closed/Partial/Open: Closed

Engineering:
Stamped Plan Sets: none
Design Calc Sets: none

Covering:
Roof: 26 Gauge, PR Panels, Color: Galvalume
Sidewall: 26 Gauge, PR Panels, Color: NEED COLOR
Endwall: 26 Gauge, PR Panels, Color: NEED COLOR
Sidewall trim at eave : NEED COLOR
Endwall (rake) trim at roof : Galvalume
Outside jamb sheeting trim color: NEED COLOR
Outside corner trim color : NEED COLOR
Base trim (if applicable) : NEED COLOR

Framing:



----- Interior -----

0 rigid frame, clear span

Frame Design Id	Column Type	Rafter Type
1	constant dept	constant depth

Spacing along front sidewall: 1 at 24

----- Exterior Walls -----

Endwall: Left = Bearing, Bypass girts  
Right = Bearing, Bypass girts  
Sidewall: Front = Bypass  
Back = Bypass

----- Wind -----

Roof: Panel Shear  
Endwall: Left = Panel Shear  
Right = Panel Shear  
Sidewall: Front = Cable Diagonal Bracing  
Back = Cable Diagonal Bracing

----- Factory Located Framed Openings -----

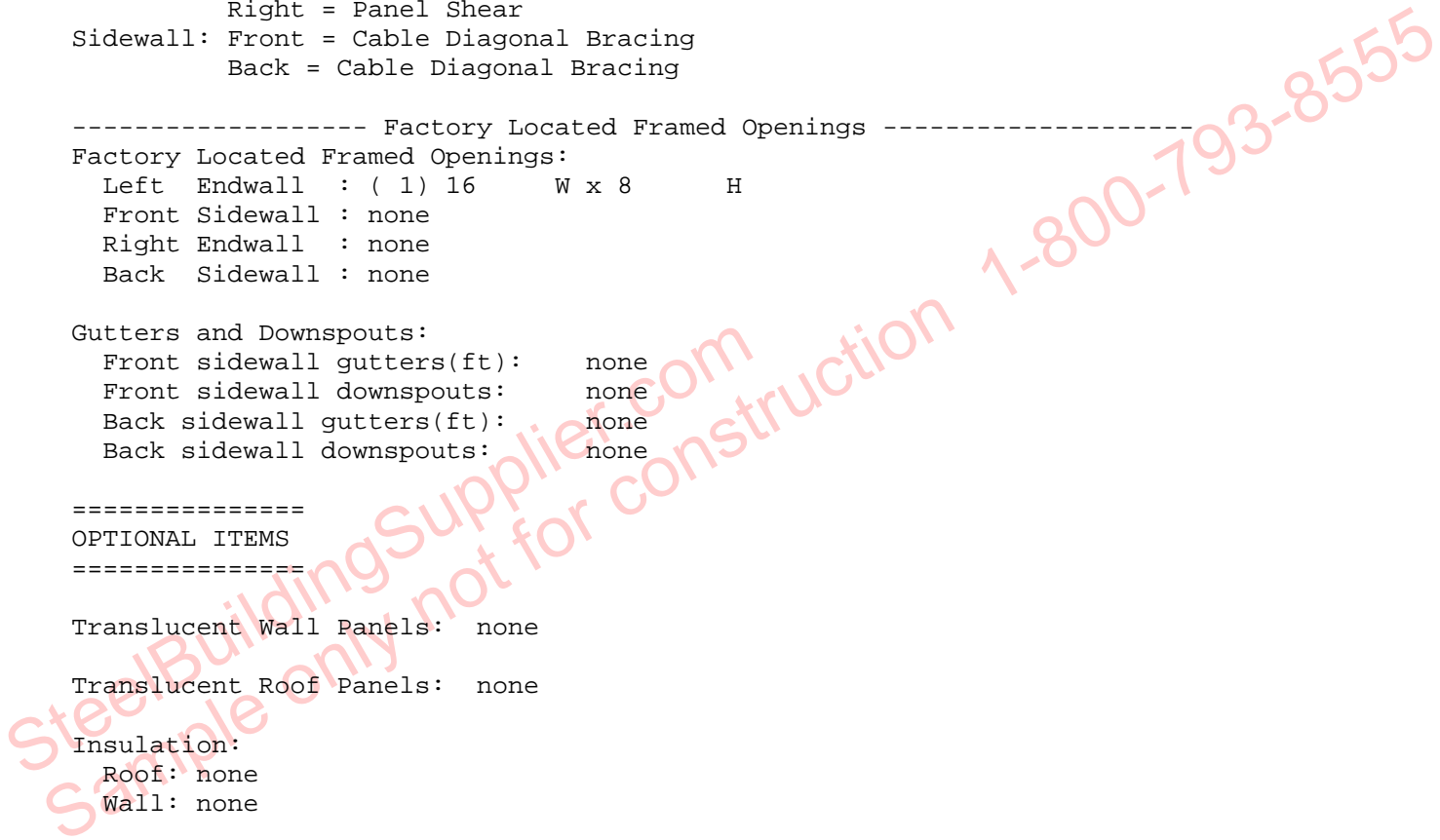
Factory Located Framed Openings:  
Left Endwall : ( 1) 16 W x 8 H  
Front Sidewall : none  
Right Endwall : none  
Back Sidewall : none

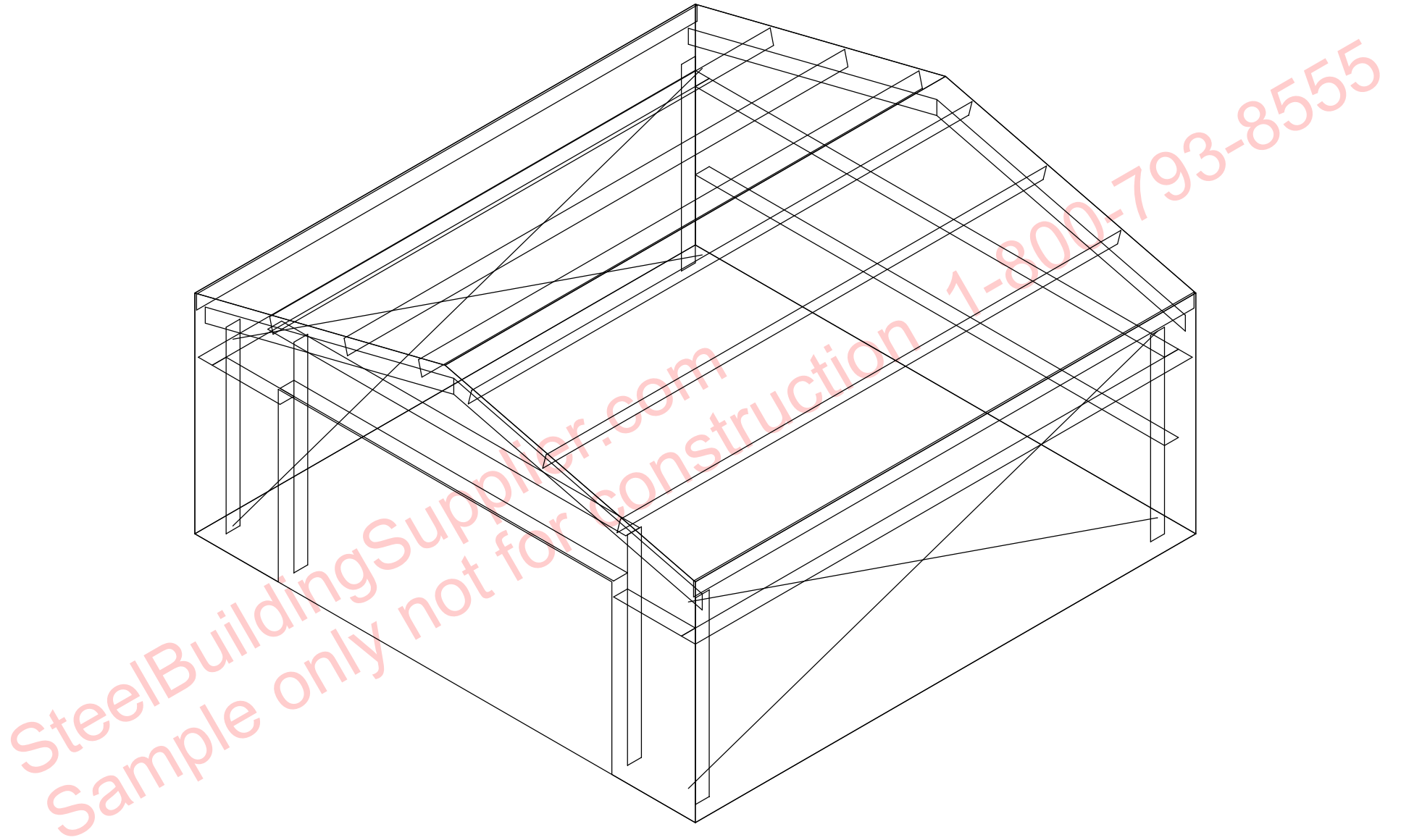
Gutters and Downspouts:  
Front sidewall gutters(ft): none  
Front sidewall downspouts: none  
Back sidewall gutters(ft): none  
Back sidewall downspouts: none

===== OPTIONAL ITEMS =====

Translucent Wall Panels: none  
Translucent Roof Panels: none  
Insulation:  
Roof: none  
Wall: none

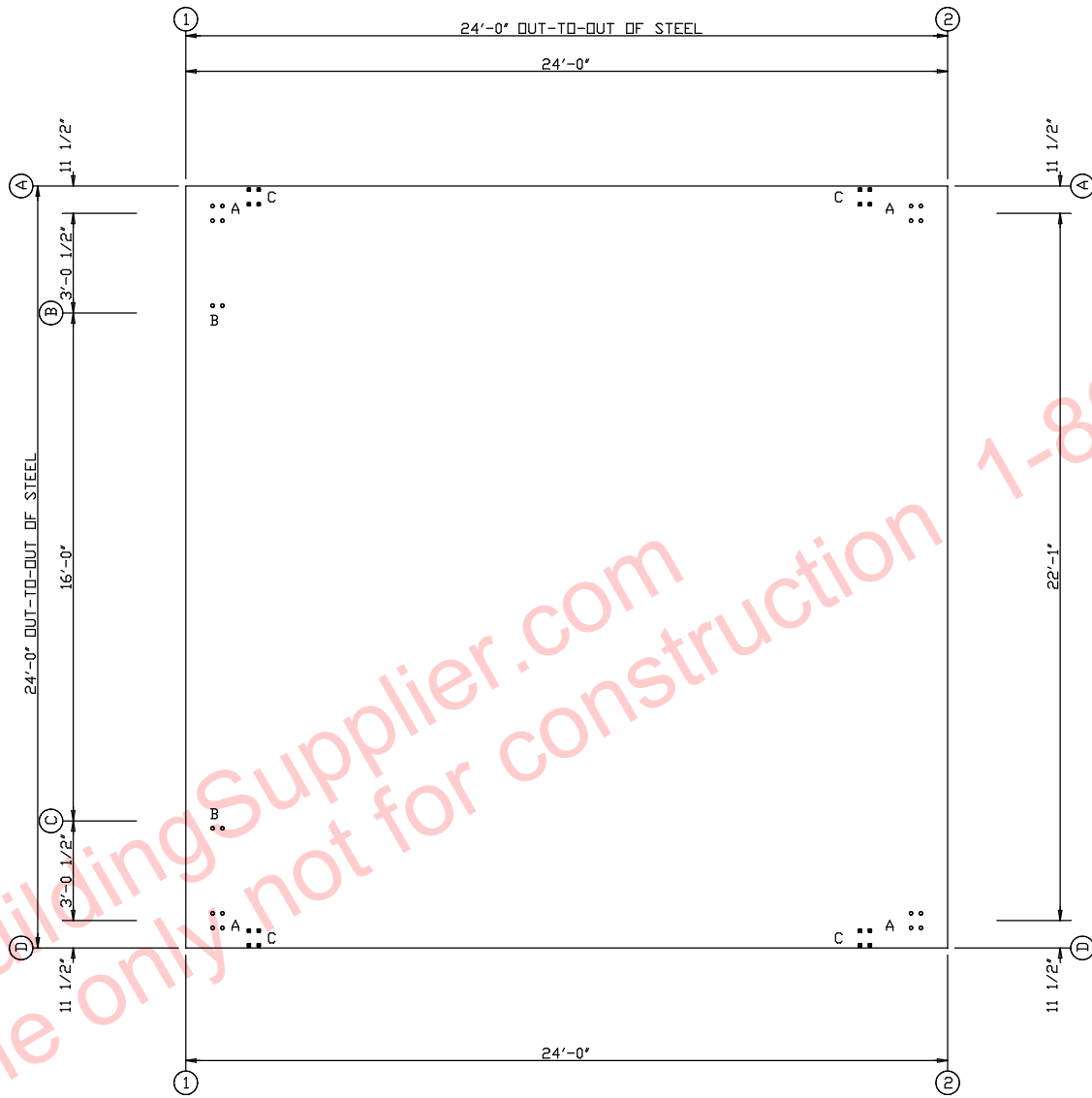
Delivered Weight: 4237.9 lbs





ANCHOR BOLT SUMMARY

Qty	Loc	Dia (in)	Proj (in)
24	EW	3/4"	2.50
16	WB	7/8"	3.00



ANCHOR BOLT PLAN  
NOTE: All Base Plates @ 100'-0" (U.N.)

- Dia= 3/4"
- Dia= 7/8"

SteelBuildingSupplier.com		Company or Customer	
PROJECT		ANCHOR BOLT PLAN	
ID	242410B	DESIGN: Designer	
PROJECT ADDRESS	Jobsite address Jobsite address 2	CHECK:	MBC
DATE:	1/11/05	SHEET	OF

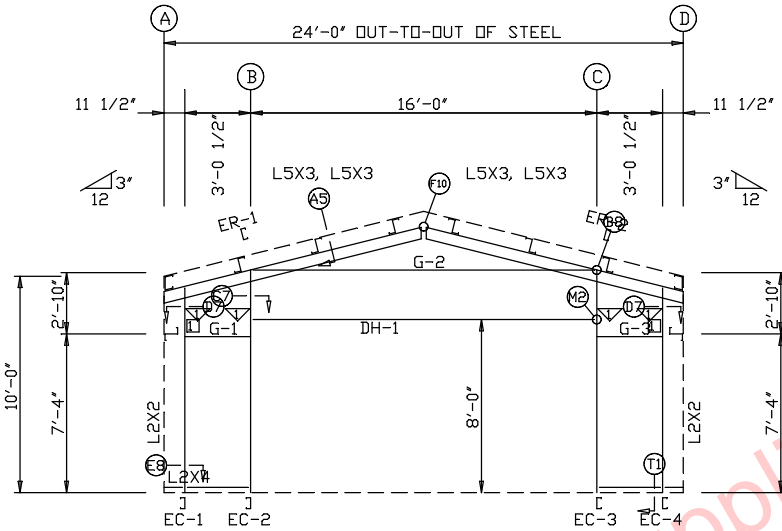
BOLT TABLE				
FRAME LINE 1				
LOCATION	QUAN	TYPE	DIA	LENGTH
ER-1/ER-2	4	A325	5/8"	2"
Columns	2	A325	5/8"	1 1/4"

MEMBER TABLE		
FRAME LINE 1		
MARK	PART	LENGTH
EC-1	8x35C16	9'-6 1/8"
EC-2	8x35C16	10'-3 1/4"
EC-3	8x35C16	10'-3 1/4"
EC-4	8x35C16	9'-6 1/8"
ER-1	8x35C13	12'-4 3/16"
ER-2	8x35C13	12'-4 3/16"
DH-1	8x35C16	16'-7 1/4"
G-1	8X25Z16	3'-0 3/4"
G-2	8X25Z16	15'-3 1/2"
G-3	8X25Z16	3'-0 3/4"

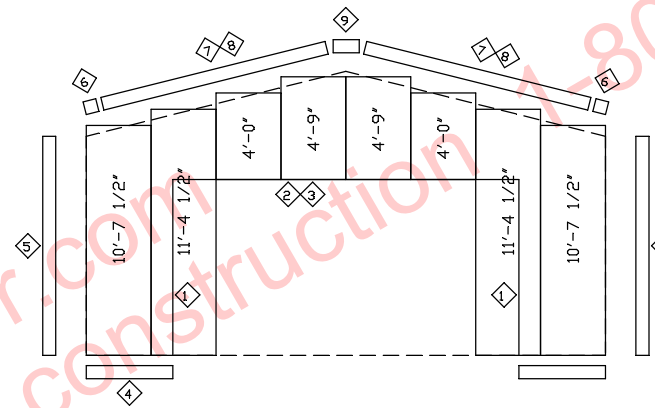
TRIM TABLE		
FRAME LINE 1		
ID	PART	LENGTH
1	FL-23	10'-2"
2	FL-25	7'-1"
3	FL-26	10'-4"
4	FL-72	10'-2"
5	FL-830	10'-2"
6	FL-13A	2"
7	FL-13	10'-2"
8	FL-13D	20'-2"
9	FL-13C	1'-4"

FLANGE BRACE TABLE		
FRAME LINE 1		
VID	MARK	LENGTH
1	FB31	2'-7"

CONNECTION PLATES	
FRAME LINE 1	
ID	MARK/PART
1	SC-5



ENDWALL FRAMING: FRAME LINE 1



ENDWALL SHEETING & TRIM: FRAME LINE 1  
PANELS: 26 Ga. PBR - NEED COLOR

SteelBuildingSupplier.com		Company or Customer	
PROJECT		ENDWALL FRAMING	
ID	242410B	DESIGN: Designer	
PROJECT ADDRESS	Jobsite address	CHECK:	MBC
	Jobsite address 2	DATE: 1/11/05	SHEET OF